

Z1218 COUPLING TYPE SYSTEM – WALL URINAL/SERVICE SINK



ENGINEERING SPECIFICATION

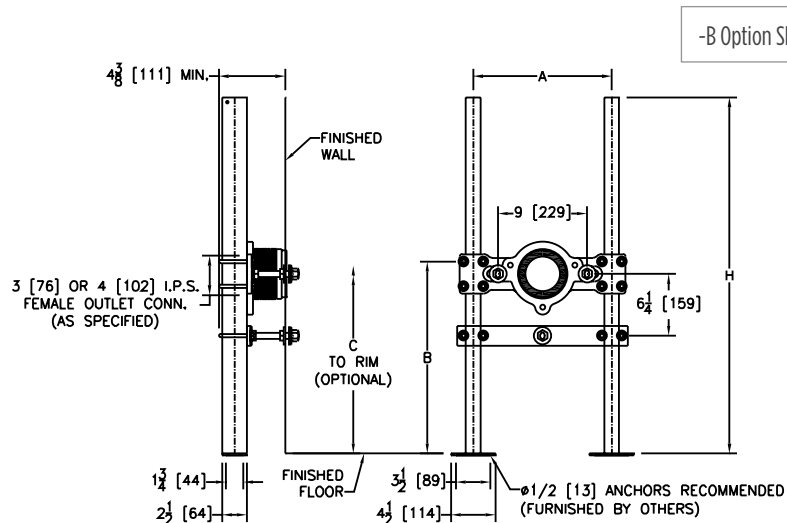
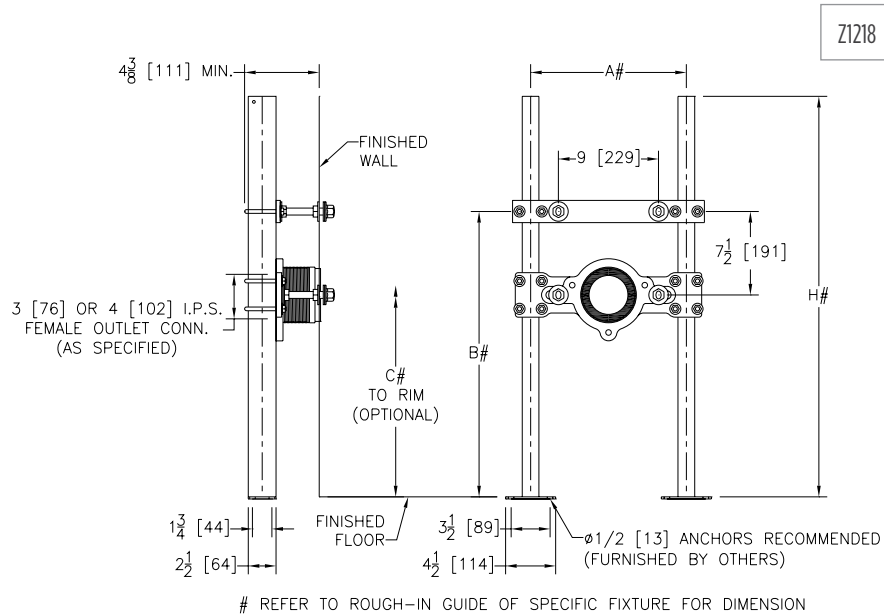
Zurn Z1218 service sink support system comes complete with Dura-Coated rectangular steel uprights with welded feet, adjustable faceplate and upper support plate, adjustable corrosion-resistant coupling, fixture bolts, trim, and bonded Neo-Seal gasket.

NOTES

Dimensional data for letter dimensions depends on fixture type and manufacturer. See Zurn Carrier/Fixture Rough-In information at www.Zurn.com for specific rough-in dimensions.

Product Number	Outlet inch [mm]	Approximate Weight lb [kg]
Z1218	3 [76], 4 [102]	63 [29]

PREFIXES	DESCRIPTION	LIST PRICE
Z1218*	Dura-Coated System with Adjustable Coupling	1,195.00
SUFFIXES		ADD
-B	Blow-Out Type Fixture Support	N/C
-VP	Vandal-Proof Trim	132.00
-WS	Wall Support Valve Plate (Specify Valve Name and Number)	151.00
BEST SELLERS		LIST PRICE
Z1218-3		1,195.00
Z1218-3IP-B		1,195.00
Z1218-4		1,195.00
Z1218-4IP-B		1,195.00



Items designated as Best Sellers are most specified and are generally in stock for shipment.
 ⌚ This symbol denotes a product that is engineered to reduce installation and rework time.
 For Additional System Tools See "Z1200 Carrier Tools and Accessories" on page 214

*Regularly furnished unless otherwise specified.
 For additional product information, please visit www.zurn.com

INTRO
 ROOF DRAINS
 FLOOR DRAINS
 T, P, BW VALVES
 INTERCEPTORS
 CARRIERS
 HYDRANTS
 CLEANOUTS
 WHA
 SS DRAINS
 FAB SS DRAINS
 SANI-FLOOR
 TECH INFO